

TRAFFIC CRASH REPORT

*DENOTES MANDATORY FIELD FOR SUPPLEMENT REPORT

LOCAL REPORT NUMBER*

2 0 2 5 - 0 0 0 1 7 2 4 8

PHOTOS TAKEN OH-2 OH-3
 SECONDARY CRASH OH-1P OTHER
 PRIVATE PROPERTY

LOCAL INFORMATION
 REPORTING AGENCY NAME*
STPD
 NCIC*
0 7 7 1 2

HIT/SKIP
 1 - SOLVED
 2 - UNSOLVED
 NUMBER OF UNITS
0 1
 UNIT IN ERROR
 98 - ANIMAL
 99 - UNKNOWN
0 1

COUNTY* **7 7** LOCALITY* **1**
 1 - CITY
 2 - VILLAGE
 3 - TOWNSHIP
 LOCATION: CITY, VILLAGE, TOWNSHIP*
Stow

CRASH DATE / TIME*
10 0 9 2 0 2 5 / 0 7 0 7
 CRASH SEVERITY
 1 - FATAL
 2 - SERIOUS INJURY SUSPECTED
 3 - MINOR INJURY SUSPECTED
 4 - INJURY POSSIBLE
 5 - PROPERTY DAMAGE ONLY
4

ROUTE TYPE **S R** ROUTE NUMBER **0 0 0 0 8** PREFIX
 1 - NORTH
 2 - SOUTH
 3 - EAST
 4 - WEST
 LOCATION ROAD NAME
41.16816;-81.478328
 ROAD TYPE

LATITUDE DECIMAL DEGREES
4 1 . 1 6 6 0 9 3

ROUTE TYPE ROUTE NUMBER PREFIX
 1 - NORTH
 2 - SOUTH
 3 - EAST
 4 - WEST
 REFERENCE ROAD NAME (ROAD, MILEPOST, HOUSE #)
8.2
 ROAD TYPE
M P

LONGITUDE DECIMAL DEGREES
- 8 1 . 4 7 5 7 2 0

REFERENCE POINT
 1 - INTERSECTION
2
 2 - MILE POST
 3 - HOUSE #
 DIRECTION FROM REFERENCE
2
 1 - NORTH
 2 - SOUTH
 3 - EAST
 4 - WEST
 ROUTE TYPE
 IR - INTERSTATE ROUTE (TP)
 US - FEDERAL US ROUTE
 SR - STATE ROUTE
 CR - NUMBERED COUNTY ROUTE
 TR - NUMBERED TOWNSHIP ROUTE
 ROAD TYPE
 AL - ALLEY HW - HIGHWAY RD - ROAD
 AV - AVENUE LA - LANE SQ - SQUARE
 BL - BOULEVARD MP - MILEPOST ST - STREET
 CR - CIRCLE OV - OVAL TE - TERRACE
 CT - COURT PK - PARKWAY TL - TRAIL
 DR - DRIVE PI - PIKE WA - WAY
 HE - HEIGHTS PL - PLACE

INTERSECTION RELATED
 WITHIN INTERSECTION OR ON APPROACH
 WITHIN INTERCHANGE AREA NUMBER OF APPROACHES
ROADWAY
 ROADWAY DIVIDED

LOCATION OF FIRST HARMFUL EVENT
0 4
 1 - ON ROADWAY 9 - CROSSOVER
 2 - ON SHOULDER 10 - DRIVEWAY/ALLEY ACCESS
 3 - IN MEDIAN 11 - RAILWAY GRADE CROSSING
 4 - ON ROADSIDE 12 - SHARED USE PATHS OR TRAILS
 5 - ON GORE 13 - BIKE LANE
 6 - OUTSIDE TRAFFIC WAY 14 - TOLL BOOTH
 7 - ON RAMP 99 - OTHER / UNKNOWN
 8 - OFF RAMP
 MANNER OF CRASH COLLISION/IMPACT
1
 1 - NOT COLLISION BETWEEN TWO MOTOR VEHICLES IN TRANSPORT
 2 - REAR-END
 3 - HEAD-ON
 4 - REAR-TO-REAR
 5 - BACKING
 6 - ANGLE
 7 - SIDESWIPE, SAME DIRECTION
 8 - SIDESWIPE, OPPOSITE DIRECTION
 9 - OTHER / UNKNOWN

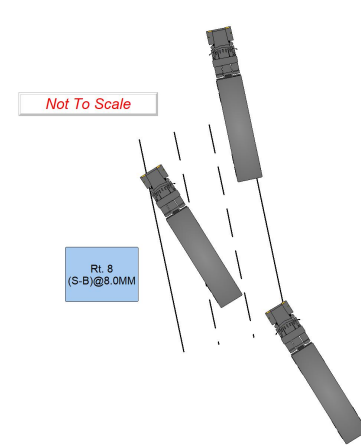
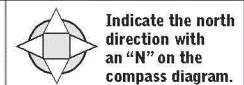
DIRECTION OF TRAVEL
2
 1 - NORTH
 2 - SOUTH
 3 - EAST
 4 - WEST
 MEDIAN TYPE
4
 1 - DIVIDED FLUSH MEDIAN (<4 FEET)
 2 - DIVIDED FLUSH MEDIAN (≥4 FEET)
 3 - DIVIDED, DEPRESSED MEDIAN
 4 - DIVIDED, RAISED MEDIAN (ANY TYPE)
 9 - OTHER/UNKNOWN

WORK ZONE RELATED
 WORKERS PRESENT
 LAW ENFORCEMENT PRESENT
 ACTIVE SCHOOL ZONE
 WORK ZONE TYPE
 1 - LANE CLOSURE
 2 - LANE SHIFT/CROSSOVER
 3 - WORK ON SHOULDER OR MEDIAN
 4 - INTERMITTENT OR MOVING WORK
 5 - OTHER
 LOCATION OF CRASH IN WORK ZONE
 1 - BEFORE THE 1ST WORK ZONE WARNING SIGN
 2 - ADVANCE WARNING AREA
 3 - TRANSITION AREA
 4 - ACTIVITY AREA
 5 - TERMINATION AREA

CONTOUR
4
 1 - STRAIGHT LEVEL
 2 - STRAIGHT GRADE
 3 - CURVE LEVEL
 4 - CURVE GRADE
 9 - OTHER/UNKNOWN
 CONDITIONS
1
 1 - DRY
 2 - WET
 3 - SNOW
 4 - ICE
 5 - SAND, MUD, DIRT, OIL, GRAVEL
 6 - WATER (STANDING, MOVING)
 7 - SLUSH
 9 - OTHER/UNKNOWN
 SURFACE
2
 1 - CONCRETE
 2 - BLACKTOP, BITUMINOUS, ASPHALT
 3 - BRICK/BLOCK
 4 - SLAG, GRAVEL, STONE
 5 - DIRT
 9 - OTHER/UNKNOWN

LIGHT CONDITION
2
 1 - DAYLIGHT
 2 - DAWN/DUSK
 3 - DARK - LIGHTED ROADWAY
 4 - DARK - ROADWAY NOT LIGHTED
 5 - DARK - UNKNOWN ROADWAY LIGHTING
 9 - OTHER / UNKNOWN
 WEATHER
0 1
 1 - CLEAR 6 - SNOW
 2 - CLOUDY 7 - SEVERE CROSSWINDS
 3 - FOG, SMOG, SMOKE 8 - BLOWING SAND, SOIL, DIRT, SNOW
 4 - RAIN 9 - FREEZING RAIN OR FREEZING DRIZZLE
 5 - SLEET, HAIL 99 - OTHER / UNKNOWN

NARRATIVE
Unit #1 was southbound on Rt. 8. Unit #1 went off the roadway to the right, then struck the jersey barricade, and then struck the guardrail to the right of the roadway. Unit #1 was cited for failing to control.



CRASH REPORTED DATE / TIME: **1 0 0 9 2 0 2 5 / 0 7 0 7**
 DISPATCH DATE / TIME: **1 0 0 9 2 0 2 5 / 0 7 5 7**
 ARRIVAL DATE / TIME: **1 0 0 9 2 0 2 5 / 0 7 5 7**
 SCENE CLEARED DATE / TIME: **1 0 0 9 2 0 2 5 / 1 0 0 7**
 REPORT TAKEN BY
 POLICE AGENCY
 MOTORIST
 SUPPLEMENT (CORRECTION OR ADDITION TO AN EXISTING REPORT SENT TO ODPF)
 TOTAL TIME ROADWAY CLOSED: **1 2 0**
 OTHER INVESTIGATION TIME: **0 0 0**
 TOTAL MINUTES: **1 8 0**
 OFFICER'S NAME*
FRISINA, ROBERT
 OFFICER'S BADGE NUMBER*
0 0 0 7 4 2
 CHECKED BY OFFICER'S NAME*
BELL, THEODORE
 CHECKED BY OFFICER'S BADGE NUMBER*
0 0 0 7 0 7

OWNER

UNIT # **0 1** OWNER NAME: LAST, FIRST, MIDDLE (☐ SAME AS DRIVER)
Artel Logistics Inc.

OWNER ADDRESS: STREET, CITY, STATE, ZIP (☐ SAME AS DRIVER)
1041 Lake DR Suite A11 Medina OH 44256

COMMERCIAL CARRIER: NAME, ADDRESS, CITY, STATE, ZIP **Artel Logistics Inc.**
1041 lake dr suite a11 medina oh 44256

OWNER PHONE: INCLUDE AREA CODE (☒ SAME AS DRIVER)
6 1 4 4 4 1 2 4 4 1

COMMERCIAL CARRIER PHONE: INCLUDE AREA CODE
6 1 4 4 4 1 2 4 4 1

DAMAGE

DAMAGE SCALE

4 1 - NONE 3 - FUNCTIONAL DAMAGE
2 - MINOR DAMAGE 4 - DISABLING DAMAGE
9 - UNKNOWN

VEHICLE

LP STATE **OH** LICENSE PLATE # **PWU9206** VEHICLE IDENTIFICATION # **1XPBDP9XXLD650018J** VEHICLE YEAR **2020** VEHICLE MAKE **Peterbilt**

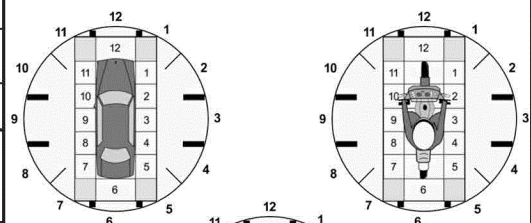
INSURANCE VERIFIED INSURANCE COMPANY **Accord** INSURANCE POLICY # **258398001TGL59913A** COLOR **UNK** VEHICLE MODEL **Other/U**

DAMAGED AREA(S)
INDICATE ALL THAT APPLY

TYPE OF USE COMMERCIAL GOVERNMENT IN EMERGENCY RESPONSE

US DOT # **3 4 0 4 4 2 1** TOWED BY: COMPANY NAME **Interstate Towing**

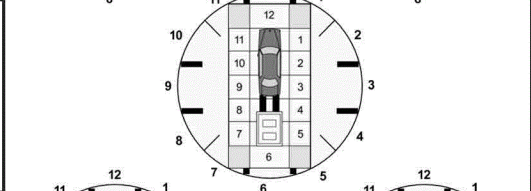
HAZARDOUS MATERIAL CLASS # MATERIAL RELEASED PLACARD ID #



UNIT TYPE **1 5** # OF TRAILING UNITS **0 1**

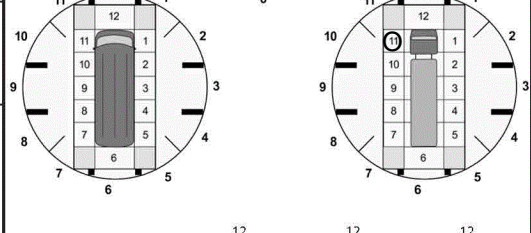
WAS VEHICLE OPERATING IN AUTONOMOUS MODE WHEN CRASH OCCURRED? **0**

1 - PASSENGER CAR 2 - PASSENGER VAN (MINIVAN) 3 - SPORT UTILITY VEHICLE 4 - PICK UP 5 - CARGO VAN 6 - VAN (9-15 SEATS) 7 - MOTORCYCLE 2-WHEELED 8 - MOTORCYCLE 3-WHEELED 9 - AUTOCYCLE 10 - MOPED OR MOTORIZED BICYCLE 11 - ALL TERRAIN VEHICLE (ATV / UTV) 12 - GOLF CART 13 - SNOWMOBILE 14 - SINGLE UNIT TRUCK 15 - SEMI-TRACTOR 16 - FARM EQUIPMENT 17 - MOTORHOME 18 - LIMO (LIVERY VEHICLE) 19 - BUS (16+ PASSENGERS) 20 - OTHER VEHICLE 21 - HEAVY EQUIPMENT 22 - ANIMAL WITH RIDER OR ANIMAL-DRAWN VEHICLE 23 - PEDESTRIAN / SKATER 24 - WHEELCHAIR (ANY TYPE) 25 - OTHER NON-MOTORIST 26 - BICYCLE 27 - TRAIN 99 - UNKNOWN OR HIT/SKIP



SPECIAL FUNCTION **0 1**

1 - NONE 2 - TAXI 3 - ELECTRONIC RIDE SHARING 4 - SCHOOL TRANSPORT 5 - BUS - TRANSIT/COMMUTER 6 - BUS - CHARTER/TOUR 7 - BUS - INTERCITY 8 - BUS - SHUTTLE 9 - BUS - OTHER 10 - AMBULANCE 11 - FIRE 12 - MILITARY 13 - POLICE 14 - PUBLIC UTILITY 15 - CONSTRUCTION EQUIPMENT 16 - FARM 17 - MOWING 18 - SNOW REMOVAL 19 - TOWING 20 - SAFETY SERVICE PATROL 21 - MAIL CARRIER 99 - OTHER / UNKNOWN



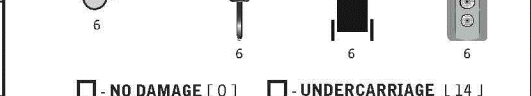
CARGO BODY TYPE **0 1**

1 - NO CARGO BODY TYPE / NOT APPLICABLE 2 - BUS 3 - VEHICLE TOWING ANOTHER MOTOR VEHICLE 4 - LOGGING 5 - INTERMODAL CONTAINER CHASSIS 6 - CARGO VAN/ENCLOSED BOX 7 - GRAIN/CHIPS/GRAVEL 8 - POLE 9 - CARGO TANK 10 - FLAT BED 11 - DUMP 12 - CONCRETE MIXER 13 - AUTOTRANSPORTER 14 - GARBAGE/REFUSE 99 - OTHER / UNKNOWN



VEHICLE DEFECTS

1 - TURN SIGNALS 2 - HEAD LAMPS 3 - TAIL LAMPS 4 - BRAKES 5 - STEERING 6 - TIRE BLOWOUT 7 - WORN OR SLICK TIRES 8 - TRAILER EQUIPMENT DEFECTIVE 9 - MOTOR TROUBLE 10 - DISABLED FROM PRIOR ACCIDENT 99 - OTHER / UNKNOWN



NON-MOTORIST LOCATION AT IMPACT

1 - INTERSECTION - MARKED CROSSWALK 2 - INTERSECTION - UNMARKED CROSSWALK 3 - INTERSECTION - OTHER 4 - MIDBLOCK - MARKED CROSSWALK 5 - TRAVEL LANE - OTHER LOCATION 6 - BICYCLE LANE 7 - SHOULDER / ROADSIDE 8 - SIDEWALK 9 - MEDIAN/CROSSING ISLAND 10 - DRIVEWAY ACCESS 11 - SHARED USE PATHS OR TRAILS 12 - FIRST RESPONDER AT INCIDENT SCENE 99 - OTHER / UNKNOWN

INITIAL POINT OF CONTACT

0 - NO DAMAGE 1-12 - REFER TO UNIT DIAGRAM 13 - TOP 14 - UNDERCARRIAGE 15 - VEHICLE NOT AT SCENE 99 - UNKNOWN

ACTION **3** PRE-CRASH ACTIONS **0 1**

1 - NON-CONTACT 2 - NON-COLLISION 3 - STRIKING 4 - STRUCK 5 - BOTH STRIKING & STRUCK 9 - OTHER / UNKNOWN 1 - STRAIGHT AHEAD 2 - BACKING 3 - CHANGING LANES 4 - OVERTAKING/PASSING 5 - MAKING RIGHT TURN 6 - MAKING LEFT TURN 7 - MAKING U-TURN 8 - ENTERING TRAFFIC LANE 9 - LEAVING TRAFFIC LANE 10 - PARKED 11 - SLOWING OR STOPPED IN TRAFFIC 12 - DRIVERLESS 13 - NEGOTIATING A CURVE 14 - ENTERING OR CROSSING SPECIFIED LOCATION 15 - WALKING, RUNNING, JOGGING, PLAYING 16 - WORKING 17 - PUSHING VEHICLE 18 - APPROACHING OR LEAVING VEHICLE 19 - STANDING 20 - OTHER NON-MOTORIST 21 - STANDING OUTSIDE DISABLED VEHICLE 99 - OTHER / UNKNOWN

TRAFFIC

TRAFFICWAY FLOW: **1** (ONE-WAY), **2** (TWO-WAY)

TRAFFIC CONTROL: **6** (SIGNAL, FLASHER, NO CONTROL)

OF THROUGH LANES ON ROAD: **3**

RAIL GRADE CROSSING: **1** (NOT INVOLVED)

CONTRIBUTING CIRCUMSTANCES **9 9**

1 - NONE 2 - FAILURE TO YIELD 3 - RAN RED LIGHT 4 - RAN STOP SIGN 5 - UNSAFE SPEED 6 - IMPROPER TURN 7 - LEFT OF CENTER 8 - FOLLOWING TOO CLOSE / ACDA 9 - IMPROPER LANE CHANGE 10 - IMPROPER PASSING 11 - DROVE OFF ROAD 12 - IMPROPER BACKING 13 - IMPROPER START FROM A PARKED POSITION 14 - STOPPED OR PARKED ILLEGALLY 15 - SWERVING TO AVOID 16 - WRONG WAY 17 - VISION OBSTRUCTION 18 - OPERATING DEFECTIVE EQUIPMENT 19 - LOAD SHIFTING/FALLING/SPILLING 20 - IMPROPER CROSSING 21 - LYING IN ROADWAY 22 - NOT DISCERNIBLE 23 - OPENING DOOR INTO ROADWAY 99 - OTHER IMPROPER ACTION

UNIT / NON-MOTORIST DIRECTION

FROM **1** TO **2**

1 - NORTH 2 - SOUTH 3 - EAST 4 - WEST 5 - NORTHEAST 6 - NORTHWEST 7 - SOUTHEAST 8 - SOUTHWEST 9 - OTHER / UNKNOWN

SEQUENCE OF EVENTS

1 **0 8** 2 **3 5** 3 **3 0**

1 - OVERTURN/ROLLOVER 2 - FIRE/EXPLOSION 3 - IMMERSION 4 - JACKKNIFE 5 - CARGO / EQUIPMENT LOSS OR SHIFT 6 - EQUIPMENT FAILURE 7 - SEPARATION OF UNITS 8 - RAN OFF ROAD RIGHT 9 - RAN OFF ROAD LEFT 10 - CROSS MEDIAN 11 - CROSS CENTERLINE - OPPOSITE DIRECTION OF TRAVEL 12 - DOWNHILL RUNAWAY 13 - OTHER NON-COLLISION 14 - PEDESTRIAN 15 - PEDALCYCLE 16 - RAILWAY VEHICLE 17 - ANIMAL - FARM 18 - ANIMAL - DEER 19 - ANIMAL - OTHER 20 - MOTOR VEHICLE IN TRANSPORT 21 - PARKED MOTORVEHICLE 22 - WORK ZONE MAINTENANCE EQUIPMENT 23 - STRUCK BY FALLING, SHIFTING CARGO OR ANYTHING SET IN MOTION BY A MOTOR VEHICLE 24 - OTHER MOVABLE OBJECT

UNIT SPEED **0 6 5**

POSTED SPEED **6 5**

DETECTED SPEED **1**

1 - STATED / ESTIMATED SPEED 2 - CALCULATED / EDR 3 - UNDETERMINED

COLLISION WITH FIXED OBJECT - STRUCK

25 - IMPACT ATTENUATOR / CRASH CUSHION 26 - BRIDGE OVERHEAD STRUCTURE 27 - BRIDGE PIER OR ABUTMENT 28 - BRIDGE PARAPET 29 - BRIDGE RAIL 30 - GUARDRAIL FACE 31 - GUARDRAIL END 32 - PORTABLE BARRIER 33 - MEDIAN CABLE BARRIER 34 - MEDIAN GUARDRAIL BARRIER 35 - MEDIAN CONCRETE BARRIER 36 - MEDIAN OTHER BARRIER 37 - TRAFFIC SIGN POST 38 - OVERHEAD SIGN POST 39 - LIGHT / LUMINARIES SUPPORT 40 - UTILITY POLE 41 - OTHER POST, POLE OR SUPPORT 42 - CULVERT 43 - CURB 44 - DITCH 45 - EMBANKMENT 46 - FENCE 47 - MAILBOX 48 - TREE 49 - FIRE HYDRANT 50 - WORK ZONE MAINTENANCE EQUIPMENT 51 - WALL 52 - BUILDING 53 - TUNNEL 54 - OTHER FIXED OBJECT 99 - OTHER / UNKNOWN

FIRST HARMFUL EVENT **1** MOST HARMFUL EVENT **2**

MOTORIST / Non-MOTORIST

LOCAL REPORT NUMBER
2 0 2 5 - 0 0 0 1 7 2 4 8

UNIT # 0 1	NAME: LAST, FIRST, MIDDLE DUCALE, FARHAN ISMACIL		DATE OF BIRTH 0 2 2 5 1 9 9 8		AGE 0 2 7	GENDER M				
ADDRESS: STREET, CITY, STATE, ZIP 801 AVONIA DR COLUMBUS OH 43228				CONTACT PHONE - INCLUDE AREA CODE 6 1 4 4 4 1 2 4 4 1						
INJURIES 4	INJURED TAKEN BY 2	EMS AGENCY (NAME) SFD	INJURED TAKEN TO: MEDICAL FACILITY (NAME, CITY) Akron City Hospital	SAFETY EQUIPMENT USED 0 4	<input type="checkbox"/> DOT-COMPLIANT MC HELMET	SEATING POSITION 0 1	AIR BAG USAGE 1	EJECTION 1	TRAPPED 1	
OL STATE O H	OPERATOR LICENSE NUMBER		OFFENSE CHARGED 331.34	LOCAL CODE <input checked="" type="checkbox"/>	OFFENSE DESCRIPTION Failure to Control; We		CITATION NUMBER SC0009908			
OL CLASS 1	ENDORSEMENT SELECT UP TO 2	RESTRICTION SELECT UP TO 3	DRIVER DISTRACTED BY 1	ALCOHOL / DRUG SUSPECTED <input type="checkbox"/> ALCOHOL <input type="checkbox"/> MARIJUANA <input type="checkbox"/> OTHER DRUG		CONDITION 1	ALCOHOL TEST STATUS: 1 TYPE: 1 VALUE: .		DRUG TEST(S) STATUS: 1 TYPE: 1 RESULT: SELECT UP TO 4	

UNIT #	NAME: LAST, FIRST, MIDDLE		DATE OF BIRTH		AGE	GENDER				
ADDRESS: STREET, CITY, STATE, ZIP				CONTACT PHONE - INCLUDE AREA CODE						
INJURIES	INJURED TAKEN BY	EMS AGENCY (NAME)	INJURED TAKEN TO: MEDICAL FACILITY (NAME, CITY)	SAFETY EQUIPMENT USED	<input type="checkbox"/> DOT-COMPLIANT MC HELMET	SEATING POSITION	AIR BAG USAGE	EJECTION	TRAPPED	
OL STATE	OPERATOR LICENSE NUMBER		OFFENSE CHARGED	LOCAL CODE	OFFENSE DESCRIPTION		CITATION NUMBER			
OL CLASS	ENDORSEMENT SELECT UP TO 2	RESTRICTION SELECT UP TO 3	DRIVER DISTRACTED BY	ALCOHOL / DRUG SUSPECTED <input type="checkbox"/> ALCOHOL <input type="checkbox"/> MARIJUANA <input type="checkbox"/> OTHER DRUG		CONDITION	ALCOHOL TEST STATUS TYPE VALUE		DRUG TEST(S) STATUS TYPE RESULT SELECT UP TO 4	

UNIT #	NAME: LAST, FIRST, MIDDLE		DATE OF BIRTH		AGE	GENDER				
ADDRESS: STREET, CITY, STATE, ZIP				CONTACT PHONE - INCLUDE AREA CODE						
INJURIES	INJURED TAKEN BY	EMS AGENCY (NAME)	INJURED TAKEN TO: MEDICAL FACILITY (NAME, CITY)	SAFETY EQUIPMENT USED	<input type="checkbox"/> DOT-COMPLIANT MC HELMET	SEATING POSITION	AIR BAG USAGE	EJECTION	TRAPPED	
OL STATE	OPERATOR LICENSE NUMBER		OFFENSE CHARGED	LOCAL CODE	OFFENSE DESCRIPTION		CITATION NUMBER			
OL CLASS	ENDORSEMENT SELECT UP TO 2	RESTRICTION SELECT UP TO 3	DRIVER DISTRACTED BY	ALCOHOL / DRUG SUSPECTED <input type="checkbox"/> ALCOHOL <input type="checkbox"/> MARIJUANA <input type="checkbox"/> OTHER DRUG		CONDITION	ALCOHOL TEST STATUS TYPE VALUE		DRUG TEST(S) STATUS TYPE RESULT SELECT UP TO 4	

INJURIES	SEATING POSITION	AIR BAG	OL CLASS	OL RESTRICTION(S)	DRIVER DISTRACTION	TEST STATUS
1 - FATAL 2 - SUSPECTED SERIOUS INJURY 3 - SUSPECTED MINOR INJURY 4 - POSSIBLE INJURY 5 - NO APPARENT INJURY	1 - FRONT - LEFT SIDE (MOTORCYCLE DRIVER) 2 - FRONT - MIDDLE 3 - FRONT - RIGHT SIDE 4 - SECOND - LEFT SIDE (MOTORCYCLE PASSENGER) 5 - SECOND - MIDDLE 6 - SECOND - RIGHT SIDE 7 - THIRD - LEFT SIDE (MOTORCYCLE SIDE CAR) 8 - THIRD - MIDDLE 9 - THIRD - RIGHT SIDE 10 - SLEEPER SECTION OF TRUCK CAB	1 - NOT DEPLOYED 2 - DEPLOYED FRONT 3 - DEPLOYED SIDE 4 - DEPLOYED BOTH FRONT / SIDE 5 - NOT APPLICABLE 9 - DEPLOYMENT UNKNOWN	1 - CLASS A 2 - CLASS B 3 - CLASS C 4 - REGULAR CLASS (OHIO = D) 5 - M/C MOPED ONLY 6 - NO VALID OL	1 - ALCOHOL INTERLOCK DEVICE 2 - CDL INTRASTATE ONLY 3 - CORRECTIVE LENSES 4 - FARM WAIVER 5 - EXCEPT CLASS A BUS 6 - EXCEPT CLASS A & CLASS B BUS 7 - EXCEPT TRACTOR-TRAILER 8 - INTERMEDIATE LICENSE RESTRICTIONS 9 - LEARNER'S PERMIT RESTRICTIONS 10 - LIMITED TO DAYLIGHT ONLY 11 - LIMITED TO EMPLOYMENT 12 - LIMITED - OTHER 13 - MECHANICAL DEVICES (SPECIAL BRAKES, HAND CONTROLS, OR OTHER ADAPTIVE DEVICES) 14 - MILITARY VEHICLES ONLY 15 - MOTOR VEHICLES WITHOUT AIR BRAKES 16 - OUTSIDE MIRROR 17 - PROSTHETIC AID 18 - OTHER	1 - NOT DISTRACTED 2 - MANUALLY OPERATING AN ELECTRONIC COMMUNICATION DEVICE (TEXTING, TYPING, DIALING) 3 - TALKING ON HANDS-FREE COMMUNICATION DEVICE 4 - TALKING ON HAND-HELD COMMUNICATION DEVICE 5 - OTHER ACTIVITY WITH AN ELECTRONIC DEVICE 6 - PASSENGER 7 - OTHER DISTRACTION INSIDE THE VEHICLE 8 - OTHER DISTRACTION OUTSIDE THE VEHICLE 9 - OTHER / UNKNOWN	1 - NONE GIVEN 2 - TEST REFUSED 3 - TEST GIVEN, CONTAMINATED SAMPLE / UNUSABLE 4 - TEST GIVEN, RESULTS KNOWN 5 - TEST GIVEN, RESULTS UNKNOWN
INJURED TAKEN BY	EJECTION		OL ENDORSEMENT	ALCOHOL TEST TYPE		
1 - NOT TRANSPORTED / TREATED AT SCENE 2 - EMS 3 - POLICE 9 - OTHER / UNKNOWN	1 - NOT EJECTED 2 - PARTIALLY EJECTED 3 - TOTALLY EJECTED 4 - NOT APPLICABLE	H - HAZMAT M - MOTORCYCLE P - PASSENGER N - TANKER Q - MOTOR SCOOTER R - THREE-WHEEL MOTORCYCLE S - SCHOOL BUS T - DOUBLE & TRIPLE TRAILERS X - TANKER / HAZMAT	1 - NONE 2 - BLOOD 3 - URINE 4 - BREATH 5 - OTHER			
SAFETY EQUIPMENT	TRAPPED		GENDER	DRUG TEST TYPE		
1 - NONE USED 2 - SHOULDER BELT ONLY USED 3 - LAP BELT ONLY USED 4 - SHOULDER & LAP BELT USED 5 - CHILD RESTRAINT SYSTEM - FORWARD FACING 6 - CHILD RESTRAINT SYSTEM - REAR FACING 7 - BOOSTER SEAT 8 - HELMET USED 9 - PROTECTIVE PADS USED (ELBOW, KNEES, ETC.) 10 - REFLECTIVE CLOTHING 11 - LIGHTING - PEDESTRIAN / BICYCLE ONLY 99 - OTHER / UNKNOWN	1 - NOT TRAPPED 2 - EXTRICATED BY MECHANICAL MEANS 3 - FREED BY NON-MECHANICAL MEANS	F - FEMALE M - MALE U - OTHER / UNKNOWN	1 - NONE 2 - BLOOD 3 - URINE 4 - OTHER			
DRUG TEST RESULT(S)						
1 - AMPHETAMINES 2 - BARBITURATES 3 - BENZODIAZEPINES 4 - CANNABINOIDS 5 - COCAINE 6 - OPIATES / OPIOIDS 7 - OTHER 8 - NEGATIVE RESULTS						



LOCAL REPORT NUMBER <i>25-17248</i>	REPORTING AGENCY <i>Stow P.D.</i>	DATE OF CRASH <i>M 10 009 Y25</i>
IN COUNTY OF <i>Summit</i>	CRASH LOCATION <i>Rt. 8(5-B) @ 8.2 MM</i>	

*Unit #1 went off the roadway
right causing furt damage.
Unit #1 then hit the jersey barrier,
then struck the guardrail.*

OFFICER'S SIGNATURE <i>X [Signature]</i> #	BADGE NUMBER <i>#742</i>
---	-----------------------------

LOCAL REPORT NUMBER 25-017248	REPORTING AGENCY Stow P.D.	DATE OF CRASH M10 D 09 Y 25
----------------------------------	-------------------------------	------------------------------------

FOR LOCAL USE ONLY – DO NOT SUBMIT TO THE STATE EXCEPT FOR FATAL CRASHES

I, & Jonathan Vales PRINTED HEREBY MAKE THIS VOLUNTARY STATEMENT TO
PO. R. FRISMAN #942 OFFICER'S NAME AT Rt. 8(S-B) @ 8.2mm LOCATION

I was driving south on OH-8, at around 07:15. I all of a sudden noticed a tractor trailer very quickly veer off the road from the right lane. The truck went off into the soft shoulder at which point lost control in the mud. The truck then cut left hard back on to the roadway across all three lanes. It collided with the concrete median bouncing back across the road and into the metal guardrail causing it to jack-knife. I turned on my four ways stopping traffic in right lane. The trailer of the truck was blocking right two lanes. After coming to a stop I called 911. While on the phone I walked up to truck to check on driver. Driver was awake and aware. Dispatcher ask me to ask him some questions like his name and age. They also instructed me to see if he could exit the truck. The driver gave me his name and birth year, then exited the truck. I was asked if I could take him to my vehicle by dispatch, so I did. Soon after EMS, was on scene.

ADDRESS OF WITNESS * 1964 Tudor St., Cuyahoga Falls, OH 44224	OFFICER'S SIGNATURE X <u>PO. R. FRISMAN #942</u>
SIGNATURE OF WITNESS X <u>Jon Vales</u>	